

Figure 6.00-6B1 — MECHANICAL BRAKE

USED ON: (Assy No. 511254) Aeronca Model 7 and 11
 Funk B4 and R4
 Switzer Glider
 Sikorsky R4
 (Assy No. 9530131) Luscombe Slivaire Model 8 and 8A

FIGURE 6.00-6B1		DESCRIPTION	GOODYEAR CODE NUMBER	NUMBER PER ASSY
INDEX NO.	PART NO.			
	511254A	BRAKE ASSEMBLY.	395-2213	1
	9530131	BRAKE ASSEMBLY.	39530131	1
-1	9530292	. DISC, Brake	39530292	1
-2	9511257	. LINING, Anvil	39511257	1
-3	9511258	. LINING, Piston	39511258	1
-4	510647	. PLATE, Pressure	395-1055	1
-5	22FH-624	. NUT, Self locking	395-6788	2
-6	7520221	. BOLT, Hex head	39520221	2
-7	COML	. WASHER	395-4771	2
-8	511252A	. PLATE, Housing	395-4883	1
-9	COML	. PIN, Cotter	395-4884	1
-10	AN960-416L	. WASHER	395-1062	2
-11	AN394-33	. PIN, Flat head	395-4691	1
-12	9510151	. SPRING, Brake release	39510151	1
-13	9510191	. LEVER, For brake assembly 511254A	39510191	1
-13A	9510194	. LEVER, For brake assembly 9530131	39510194	1
-14	510822	. ROD, Brake push	395-1056	1
-15	510975	. NUT, Adjusting	395-1277	1
-16	510976	. WASHER	395-1279	1
-17	510681	. NUT, Hex lock bushing	395-0914	1
-18	510706	. BUSHING, Pushrod	395-1057	1
-19	511251A	. HOUSING, Brake	395-4882	1
-20	9520435	. CLIP, Disc	39520435	4

6.00-6 Lockring Retained Cylinder Head Brake Assy No. 9520517 (see Fig. 6.00-6B2)
 USED ON: Call-Air Cropduster
 Cessna 120 and 140
 Globe Swift

FIGURE 6.00-6B2									GOODYEAR	NUMBER
INDEX	PART NO.	DESCRIPTION							CODE	PER
NO.		1	2	3	4	5	6	7	NUMBER	ASSY
	9520517	BRAKE ASSEMBLY.							39520517	1
-1	9530286	. DISC, Brake							39530286	1
-2	9511261	. LINING, Anvil and piston							39511261	1
-3	9511261	. LINING, Anvil and piston							39511261	1
-4	AN515-10R5	. SCREW							395-5182	1
-5	511846-4	. WASHER, Bleeder							395-4486	1
-6	NAS669-200	. RING, Retaining							395-3102	1
-7	511971M	. HEAD, Cylinder							395-3537	1
-8	AN6230B2	. SEAL, O-ring							395-4802	1
-9	511970M	. PISTON							395-3536	1
-10	AN6227B29	. SEAL, O-ring							395-4729	1
-11	9520448	. PLUG, Inlet							39520448	1
-12	MS28773-4	. GASKET							395-5761	2
-13	9530088	. HOUSING, Brake							39530088	1
-14	X5-49348	. FASTENER, Dot.							395-5383	4
-15	9523482	. CLIP, Disc							39523482	4

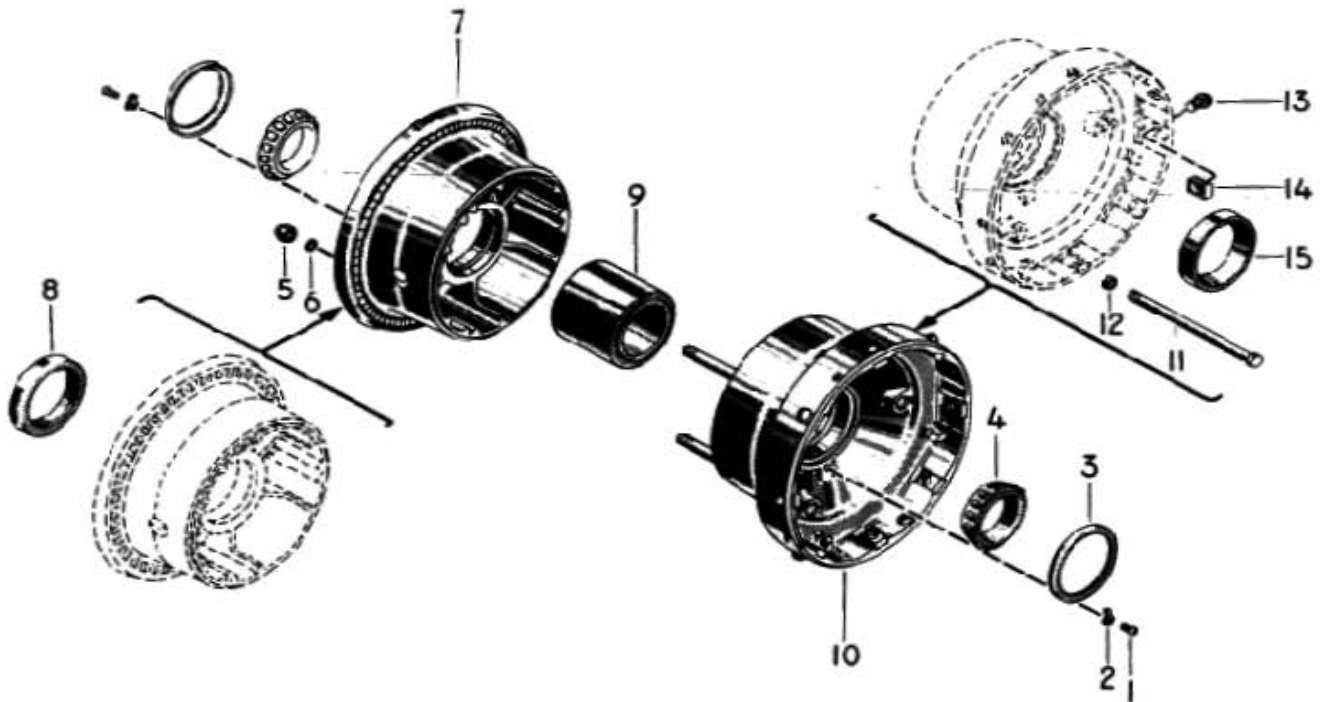


Figure 6.00-6MW2 — TUBE TYPE MAIN WHEEL

6.00-6 Tube Type Main Wheel (High Flange) Assembly No. 511413S (see Fig. 6.00-6MW2)

USED ON: Aeronca Champion and Chief with 6.00-6 Tire 4PR TT.

Bellanca Crusair with 7.00-6 Tire 4PR TT.

Cessna 120 and 140 with 6.00-5 Tire 4PR TT.

Columbia Sky Ranger with 6.00-6 Tire 4PR TT.

Funk B4, R4 with 6.00-6 Tire 4PR TT.

Globe Swift with 6.00-5 Tire 4PR TT.

Luscombe 11A with 7.00-6 Tire 4PR TT.

Luscombe 8 with 6.00-6 Tire 4PR TT.

Stinson 150 with 6.00-6 Tire 4PR TT.

Schweizer Glider with 6.00-6 Tire 4PR TT.

FIGURE 6.00-6MW2		DESCRIPTION							GOODYEAR	NUMBER
INDEX NO.	PART NO.	1	2	3	4	5	6	7	CODE NUMBER	PER ASSY
	511413S	WHEEL ASSEMBLY.							395-2311	1
-1	COML	. SCREW							395-2244	4
-2	3028-6	. TERMINAL, Locking							395-2243	4
-3	510614	. RING, Bearing closure shaped							395-1043	2
-4	13889	. CONE, Bearing							395-0476	2
-5	AN385-428	. NUT, Self locking							395-1567	3
-6	AN960PD416	. WASHER							395-4264	3
-7	511430S	. WHEEL SUBASSEMBLY, Outboard							395-2313S	1
-8	13830	. CUP, Bearing							395-0477	1
-9	9521698	. SPACER							39521698	1
-10	511475S	. WHEEL SUBASSEMBLY, Inboard							395-2391S	1
-11	9520202	. BOLT							39520202	3
-12	C-2311-27	. CLIP, Tinnerman							395-5234	3
-13	9520657	. SCREW, Disc drive key							39520657	8
-14	9520101	. KEY, Disc drive							39520101	8
-15	13830	. CUP, Bearing							395-0477	1



5. 00-6 Tube Type Main Wheel (Low Flange) Assembly No. 511960S (see Fig. 6.00-6MW2)

USED ON: Aeronca 15 with 7.00-6 Tire 4PR TT.
 Call-Air Cropduster with 8.50-6 Tire 4PR TT.
 Cessna 120, 140, 170, 172 with 6.00-6 Tire 4PR TT.
 175, Skylane 180 and 182 with 6.00-6 Tire 6PR TT.
 Fournaire Aircoupe with 6.00-6 Tire 4PR TT.
 Globe-Swift with 6.00-6 Tire 4PR TT.
 Omega Helicopter 6.00-6 Tire 4PR TT.
 Stinson 165 and 150 with 6.00-6 Tire 4PR TT.
 Vertol Rescuer with 6.00-6 Tire 6PR TT.

FIGURE 6.00-6MW2									GOODYEAR	NUMBER
INDEX	PART NO.	DESCRIPTION							CODE	PER
NO.		1	2	3	4	5	6	7	NUMBER	ASSY
	511960S	WHEEL ASSEMBLY							395-3472S	1
-1	COML	. SCREW							395-2244	4
-2	3023-6	. TERMINAL, Locking							395-2243	4
-3	510514	. RING, Bearing closure shaped							395-1043	2
-4	13889	. CONE, Bearing							395-0476	2
-5	AN365-428	. NUT, Self locking							395-1567	3
-6	AN960PD416L	. WASHER							395-5219	3
-7	511430S	. WHEEL SUBASSEMBLY, Outboard							395-2313S	1
-8	13830	. CUP, Bearing							395-0477	1
-9	9521698	. SPACER							39521698	1
-10	511961S	. WHEEL SUBASSEMBLY, Inboard							395-3474S	1
-11	AN4-47A	. BOLT							395-2345	3
-12	C-2311-27	. CLIP, Tinnerman							395-5234	3
-13	9520657	. SCREW, Disc drive key							39520657	8
-14	9520101	. KEY, Disc drive							39520101	8
-15	13830	. CUP, Bearing							395-0477	1
FAIRING KIT FOR WHEEL ASSEMBLY 511413S and 511960S (Order separately)										
	*511458	KIT, Fairing							395-2353	1

*Not Illustrated

510647 pressure plate diameter is $1.230 \pm .010$ thickness is $.125'' \pm .010$